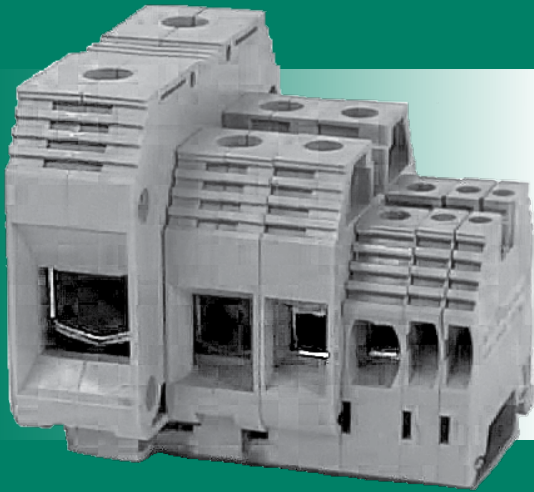


# TERMINAL BLOCKS



**SPRINGER**  
controls company

**Springer Control Company** carries a complete line of Klemmsan terminal blocks and accessories. The terminal blocks are rated from 18 to 175 amps. All styles are available, including screw terminals, spring clamp terminals, ground terminals, fuse holders and more.

## TERMINAL BLOCKS & ACCESSORIES

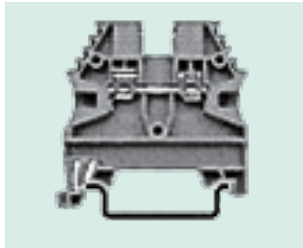
<b>AVK Series</b> .....	<b>V2 - V4</b>
• Screw Terminals; 20 amp to 175 amp	
• Ground Terminals	
• Full Accessories	
<b>PEK Series</b> .....	<b>V5 - V7</b>
• Screw Terminals; 18amp to 155 amp	
• Ground Terminals	
• Full Accessories	
<b>YBK Series</b> .....	<b>V8, V9</b>
• Tension Clamp Terminals; 20 amp to 55 amp	
• Ground Terminals	
• Full Accessories	
<b>ASK Series</b> .....	<b>V10 - V12</b>
• Disconnect Terminals	
• Fuse Type Terminals	
• Full Accessories	
<b>Marking Tags</b> .....	<b>V13</b>

Index



## AVK SERIES: FEED-THROUGH SCREW TERMINALS

AVK type terminals are manufactured from thermoplastic raw material. Grey being the main stock color, five different colors give users additional choices for visual separation of control circuits and/or voltage levels. Terminal blocks are manufactured with one open end allowing side by side placement. An end plate is necessary for the last terminal block to enable full enclosure. Partitions can be added to allow separation of circuits. See full accessories on page V4.



### AVK 2.5 (width 5mm)

**Electrical Rating:**

UL / CSA (Voltage/Current/Cross Section): 600V~ / **20 A** / AWG 26-12  
 Insulation Stripping Length: 10mm

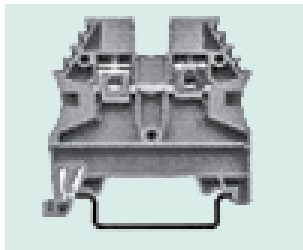
**Connection Data:**

Solid Stand, Screw Connection: 0.5 - 4 mm<sup>2</sup>  
 Fine Strand, Screw Connection: 1.5 - 2.5 mm<sup>2</sup>  
 AWG Conductor: 26 -12 (Torque 0.4 NM)

**Material:**

Polyamide 6.6

	Grey (stock)	Blue	Green	Yellow	Red	Beige	Price/each
<b>Terminals AVK 2.5</b>	304 120	304 121	304 122	304 123	304 124	304 129	\$1.00
<b>End Plate NPP</b>	444 120	444 121	444 122	444 123	444 124	444 129	\$0.50
<b>Partition APP</b>	462 120	462 121	462 122	462 123	462 124	462 129	\$0.50



### AVK 4 (width 6mm)

**Electrical Rating:**

UL / CSA (Voltage/Current/Cross Section): 600V~ / **30 A** / AWG 26-10  
 Insulation Stripping Length: 10mm

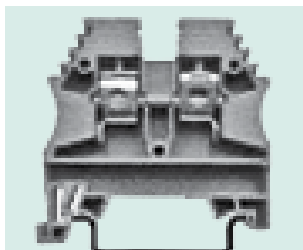
**Connection Data:**

Solid Stand, Screw Connection: 0.5 - 6 mm<sup>2</sup>  
 Fine Strand, Screw Connection: 1.5 - 4 mm<sup>2</sup>  
 AWG Conductor: 26 -10 (Torque 0.5 NM)

**Material:**

Polyamide 6.6

	Grey (stock)	Blue	Green	Yellow	Red	Beige	Price/each
<b>Terminals AVK 4</b>	304 130	304 131	304 132	304 133	304 134	304 139	\$1.50
<b>End Plate NPP</b>	444 120	444 121	444 122	444 123	444 124	444 129	\$0.50
<b>Partition APP</b>	462 120	462 121	462 122	462 123	462 124	462 129	\$0.50



### AVK 6 (width 8mm)

**Electrical Rating:**

UL / CSA (Voltage/Current/Cross Section): 600V~ / **50 A** / AWG 26-8  
 Insulation Stripping Length: 12mm

**Connection Data:**

Solid Stand, Screw Connection: 0.5 - 10 mm<sup>2</sup>  
 Fine Strand, Screw Connection: 1.5 - 6 mm<sup>2</sup>  
 AWG Conductor: 26 -8 (Torque 0.8 NM)

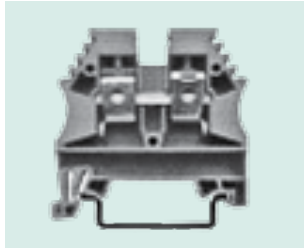
**Material:**

Polyamide 6.6

	Grey (stock)	Blue	Green	Yellow	Red	Beige	Price/each
<b>Terminals AVK 6</b>	304 140	304 141	304 142	304 143	304 144	304 149	\$1.75
<b>End Plate NPP</b>	444 120	444 121	444 122	444 123	444 124	444 129	\$0.50
<b>Partition APP</b>	462 120	462 121	462 122	462 123	462 124	462 129	\$0.50

### Discount Schedule SC-65

**AVK SERIES: FEED-THROUGH SCREW TERMINALS**



**AVK 10 (width 10mm)**

*Electrical Rating:*

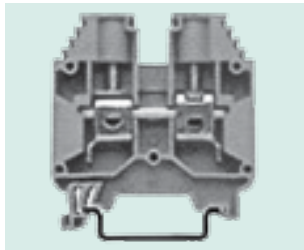
UL / CSA (Voltage/Current/Cross Section): 600V~ / **65 A** / AWG 16-6  
 Insulation Stripping Length: 12mm

*Connection Data:*

Solid Stand, Screw Connection: 1.5 - 16 mm<sup>2</sup>  
 Fine Strand, Screw Connection: 1.5 - 10 mm<sup>2</sup>  
 AWG Conductor: 16 -6 (Torque 1.2 NM)

*Material:* Polyamide 6.6

	Grey (stock)	Blue	Green	Yellow	Red	Beige	Price/each
<b>Terminals AVK 10</b>	304 150	304 151	304 152	304 153	304 154	304 159	\$2.25
<b>End Plate NPP</b>	444 120	444 121	444 122	444 123	444 124	444 129	\$0.50
<b>Partition APP</b>	462 120	462 121	462 122	462 123	462 124	462 129	\$0.50



**AVK 16 (width 12mm)**

*Electrical Rating:*

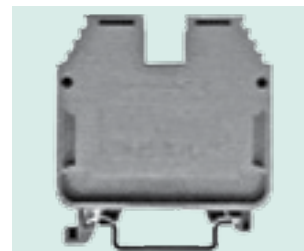
UL / CSA (Voltage/Current/Cross Section): 600V~ / **85 A** / AWG 12-4  
 Insulation Stripping Length: 16mm

*Connection Data:*

Solid Stand, Screw Connection: 1.5 - 16 mm<sup>2</sup>  
 Fine Strand, Screw Connection: 1.5 - 16 mm<sup>2</sup>  
 AWG Conductor: 14 -4 (Torque 1.2 NM)

*Material:* Polyamide 6.6

	Grey (stock)	Blue	Green	Yellow	Red	Beige	Price/each
<b>Terminals AVK 16</b>	304 160	304 161	304 162	304 163	304 164	304 169	\$3.50
<b>End Plate NPP</b>	444 120	444 121	444 122	444 123	444 124	444 129	\$0.50
<b>Partition APP</b>	462 120	462 121	462 122	462 123	462 124	462 129	\$0.50



**AVK 35 (width 16mm)**

*Electrical Rating:*

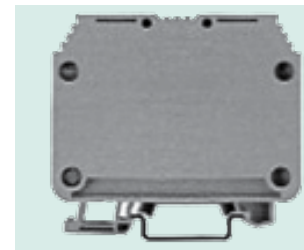
UL / CSA (Voltage/Current/Cross Section): 600V~ / **115 A** / AWG 10-2  
 Insulation Stripping Length: 18mm

*Connection Data:*

Solid Stand, Screw Connection: 1.5 - 16 mm<sup>2</sup>  
 Fine Strand, Screw Connection: 1.5 - 35 mm<sup>2</sup>  
 AWG Conductor: 8 - 1 (Torque 1.2 NM)

*Material:* Polyamide 6.6

	Grey (stock)	Blue	Green	Yellow	Red	Beige	Price/each
<b>Terminals AVK 35</b>	304 170	304 171	304 172	304 173	304 174	304 179	\$9.25



**AVK 70 (width 22mm)**

*Electrical Rating:*

UL / CSA (Voltage/Current/Cross Section): 600V~ / **175 A** / AWG 6-2/0  
 Insulation Stripping Length: 20mm

*Connection Data:*

Solid Stand, Screw Connection: 10 - 16 mm<sup>2</sup>  
 Fine Strand, Screw Connection: 10 - 70 mm<sup>2</sup>  
 AWG Conductor: 6 - 2/0 (Torque 6 NM)

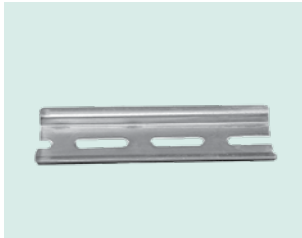
*Material:* Polyamide 6.6

	Grey (stock)	Blue	Green	Yellow	Red	Beige	Price/each
<b>Terminals AVK 70</b>	304 190	304 191	304 192	304 193	304 194	304 199	\$34.00

**Discount Schedule SC-65**

V3

AVK SERIES: TERMINAL ACCESSORIES



**Mounting Rail (Din Rail)**

- TS 35 x 7.5 Slotted
- 1 meter length
- 25mm on 36mm Center
- 5.2mm slot width

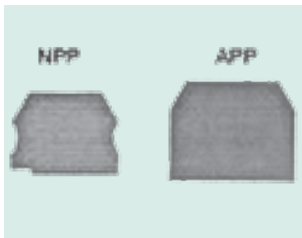
Catalog No.	Price/each
TS3575SL1	\$15.00



**End Bracket**

- Prevents terminal blocks from falling off the Din Rail.
- Thickness; 8mm
- Color; Grey
- Type; KD3

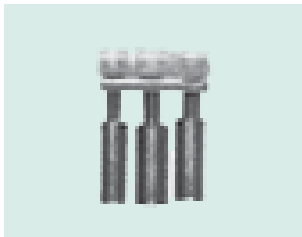
Catalog No.	Price/each
495 049	\$1.00



**End Plate - Partition**

- Allows separation of circuits, prevents cross-connection.
- Thickness; 1.5mm
- Color; Grey (stock), Blue, Green, Yellow, Red, Beige
- Polyamide 6.6

Catalog No.	Price/each (AVK2.5 - AVK10)
see AVK series (pg. V2 or V3)	\$0.50

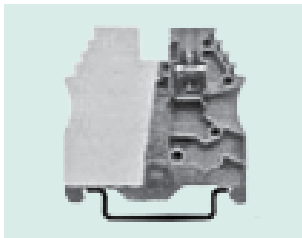


**Cross Connection**

- Distributes potentials within an assembly

Type	Catalog No. AVK2.5	Catalog No. AVK4	Catalog No. AVK6	Catalog No. AVK10	Catalog No. AVK16	Catalog No. AVK35
2 pole *	474 122	474 132	474 142	474 152	474 162	474 172
3 pole *	474 123	474 133	474 143	474 153	474 163	474 173
4 pole *	474 124	474 134	474 144	474 154	474 164	474 174
10 pole *	474 129	474 139	474 149	474 159	474 169	474 179

\* Consult Factory for pricing.



**Ground Terminals**

- Green / yellow color

AWG Conductor	Catalog No.	Price/each
26 - 10	334 120	\$4.75
16 - 6	334 140	\$5.00
8 - 1	334 160	\$14.00



**Warning Label**

Type	Catalog No.	Price/pack 25
IP 2 S (with symbol)	498 130	\$1.00
IP 2 (no symbol)	498 140	\$1.00



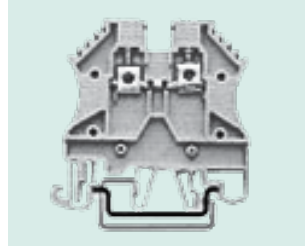
**Group Marking**

Type	Catalog No.	Price
GE	496 119	\$2.50 / pack 50
GE2	496 250	\$1.25 / pack 25

Discount Schedule SC-65

**PEK SERIES: FEED-THROUGH SCREW TERMINALS**

PEK Type Terminals are manufactured from a thermoplastic material and are mountable on TS35 and TS32 DIN Rails. Five different colors give users the ability to group control systems, current and/or voltage levels. Terminal blocks are manufactured with one open end allowing side by side placement. An end plate is necessary for the last terminal block to enable full enclosure. Partitions can be added to allow separation of circuits. See full accessories on page V7.



**PEK 2.5 (width 6mm)**

*Electrical Rating:*

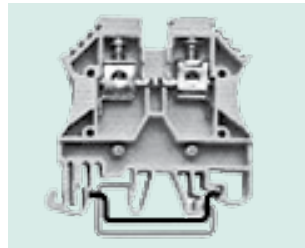
UL (Voltage/Current/Cross Section): 600V~ / **18 A** / AWG 26-12  
 Insulation Stripping Length: 10mm

*Connection Data:*

Solid Stand, Screw Connection: 0.5 - 2.5 mm<sup>2</sup>  
 Fine Strand, Screw Connection: 1.5 - 2.5 mm<sup>2</sup>  
 AWG Conductor: 26 -12

*Material:* Polyamide 6.6

	Beige (stock)	Blue	Green	Yellow	Red	Black	Price/each
<b>Terminals PEK 2.5</b>	305 120	305 121	305 122	305 123	305 124	305 125	\$1.00
<b>End Plate NPP</b>	445 150	445 151	445 152	445 153	445 154	445 155	\$0.50
<b>Partition App.</b>	463 150	463 151	463 152	463 153	463 154	463 155	\$1.50



**PEK 4 (width 6.5mm)**

*Electrical Rating:*

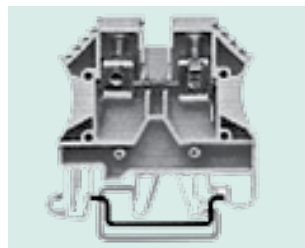
UL (Voltage/Current/Cross Section): 600V~ / **34 A** / AWG 26-10  
 Insulation Stripping Length: 10mm

*Connection Data:*

Solid Stand, Screw Connection: 0.5 - 6 mm<sup>2</sup>  
 Fine Strand, Screw Connection: 1.5 - 4 mm<sup>2</sup>  
 AWG Conductor: 26 -10

*Material:* Polyamide 6.6

	Beige (stock)	Blue	Green	Yellow	Red	Black	Price/each
<b>Terminals PEK 4</b>	305 130	305 131	305 132	305 133	305 134	305 135	\$1.25
<b>End Plate NPP</b>	445 150	445 151	445 152	445 153	445 154	445 155	\$0.50
<b>Partition App.</b>	463 150	463 151	463 152	463 153	463 154	463 155	\$1.50



**PEK 6 (width 8mm)**

*Electrical Rating:*

UL (Voltage/Current/Cross Section): 600V~ / **44 A** / AWG 26-8  
 Insulation Stripping Length: 12mm

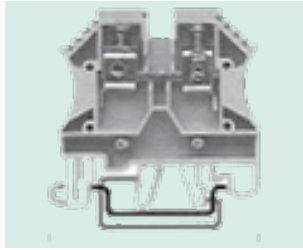
*Connection Data:*

Solid Stand, Screw Connection: 0.5 - 10 mm<sup>2</sup>  
 Fine Strand, Screw Connection: 1.5 - 6 mm<sup>2</sup>  
 AWG Conductor: 26 -8

*Material:* Polyamide 6.6

	Beige (stock)	Blue	Green	Yellow	Red	Black	Price/each
<b>Terminals PEK 6</b>	305 140	305 141	305 142	305 143	305 144	305 145	\$1.75
<b>End Plate NPP</b>	445 150	445 151	445 152	445 153	445 154	445 155	\$0.50
<b>Partition App.</b>	463 150	463 151	463 152	463 153	463 154	463 155	\$1.50

## PEK SERIES: FEED-THROUGH SCREW TERMINALS



### PEK 10 (width 10mm)

**Electrical Rating:**

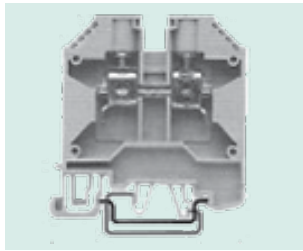
UL (Voltage/Current/Cross Section): 600V~ / **50 A** / AWG 16-8  
 Insulation Stripping Length: 12mm

**Connection Data:**

Solid Stand, Screw Connection: 0.5 - 16 mm<sup>2</sup>  
 Fine Strand, Screw Connection: 1.5 - 10 mm<sup>2</sup>  
 AWG Conductor: 16 - 6

**Material:** Polyamide 6.6

	Beige (stock)	Blue	Green	Yellow	Red	Black	Price/each
<b>Terminals PEK 10</b>	305 150	305 151	305 152	305 153	305 154	305 155	\$2.25
<b>End Plate NPP</b>	445 150	445 151	445 152	445 153	445 154	445 155	\$0.50
<b>Partition APP</b>	463 150	463 151	463 152	463 153	463 154	463 155	\$1.50



### PEK 16 (width 12mm)

**Electrical Rating:**

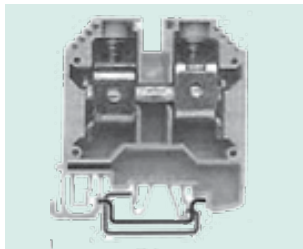
UL (Voltage/Current/Cross Section): 600V~ / **65 A** / AWG 14-6  
 Insulation Stripping Length: 16mm

**Connection Data:**

Solid Stand, Screw Connection: 1.5 - 16 mm<sup>2</sup>  
 Fine Strand, Screw Connection: 1.5 - 16 mm<sup>2</sup>  
 AWG Conductor: 14 - 4

**Material:** Polyamide 6.6

	Beige (stock)	Blue	Green	Yellow	Red	Black	Price/each
<b>Terminals PEK 16</b>	305 160	305 161	305 162	305 163	305 164	305 165	\$3.50
<b>End Plate NPP</b>	445 170	445 171	445 172	445 173	445 174	445 175	\$1.00
<b>Partition APP</b>	463 170	463 171	463 172	463 173	463 174	463 175	\$1.75



### PEK 35 (width 16mm)

**Electrical Rating:**

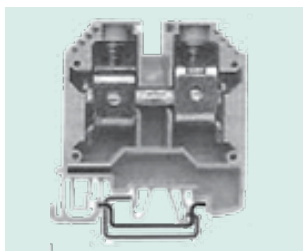
UL (Voltage/Current/Cross Section): 600V~ / **115 A** / AWG 10-2  
 Insulation Stripping Length: 18mm

**Connection Data:**

Solid Stand, Screw Connection: 6 - 16 mm<sup>2</sup>  
 Fine Strand, Screw Connection: 6 - 35 mm<sup>2</sup>  
 AWG Conductor: 10 - 1

**Material:** Polyamide 6.6

	Beige (stock)	Blue	Green	Yellow	Red	Black	Price/each
<b>Terminals PEK 35</b>	305 170	305 171	305 172	305 173	305 174	305 175	\$9.25
<b>End Plate NPP</b>	445 170	445 171	445 172	445 173	445 174	445 175	\$1.00
<b>Partition APP</b>	463 170	463 171	463 172	463 173	463 174	463 175	\$1.75



### PEK 35 I (width 16mm)

**Electrical Rating:**

UL (Voltage/Current/Cross Section): 600V~ / **115 A** / AWG 10-2  
 Insulation Stripping Length: 18mm

**Connection Data:**

Solid Stand, Screw Connection: 6 - 16 mm<sup>2</sup>  
 Fine Strand, Screw Connection: 6 - 35 mm<sup>2</sup>  
 AWG Conductor: 10 - 1

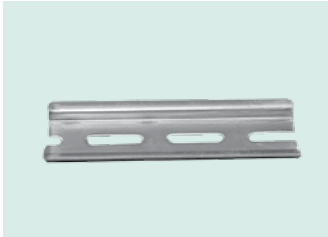
**Material:** Polyamide 6.6

	Beige (stock)	Blue	Green	Yellow	Red	Black	Price/each
<b>Terminals PEK 35 I</b>	305 180	305 181	305 182	305 183	305 184	305 185	\$10.75
<b>End Plate NPP</b>	445 170	445 171	445 172	445 173	445 174	445 175	\$1.00
<b>Partition APP</b>	463 170	463 171	463 172	463 173	463 174	463 175	\$1.75

### Discount Schedule SC-65

V6

**PEK SERIES: ACCESSORIES**



**Mounting Rails**

- TS 35 x 7.5 Slotted
- 1 meter length
- 25mm on 36mm Center
- 5.2mm slot width

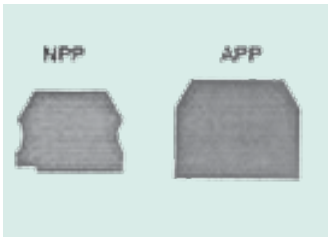
Catalog No.	Price/each
TS3575SL1	\$15.00



**End Bracket**

- Prevents terminal blocks from falling off the DIN-RAIL.
- Thickness; 8mm
- Color; Beige
- Type; KD3

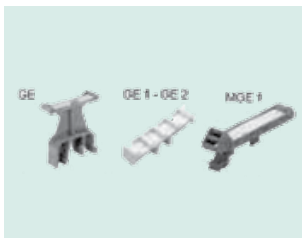
Catalog No.	Price/each
495 040	\$1.00



**End Plate - Partition**

- Allows separation of circuits, prevents cross-connection
- Thickness; 1.5mm
- Color; Beige (stock), Blue, Green, Yellow, Red, Black
- Polyamide 6.6

Catalog No.	Price/each
see pages V5 and V6	see page V5 and V6



**Group Marking**

Type	Catalog No.	Price
GE	496 110	\$2.50 / pack 50
GE2	496 250	\$1.25 / pack 25
GE3 (for PK16, 35 & 35I)	496 255	* / pack 10

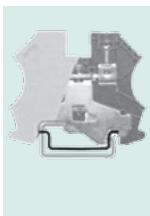
\* Consult factory for pricing



**Cross Connection**

Type	for PEK 2.5	For PEK 4	For PEK 6	For PEK 10	For PEK 16	For PEK 35 & 35 I
2-pole *	475 122	475 132	475 142	475 152	475 162	475 172
3-pole *	475 123	475 133	475 143	475 153	475 163	475 173
4-pole *	475 124	475 134	475 144	475 154	475 164	475 174
10-pole *	475 129	475 139	475 149	475 159	475 169	475 179

\*Consult factory for pricing.



**Ground Terminal**

for PEK 2.5	Price	for PEK 4	Price	For PEK 6	Price	For PEK 10	Price
331 120	\$4.25	331 130	\$4.75	331 140	\$5.00	331 150	\$5.50



**Warning Labels**

	for PEK 2.5, PEK4, PEK6, PEK10	Price/25	For PEK 16, PEK 35, PEK 35I	Price/25
IP 1S (with symbol)	498 130	\$1.00	498 143	\$1.00
IP 1 (no symbol)	498 140	\$1.00	498 145	\$1.00

\*See pages V5 and V6 for more details

**Discount Schedule SC-65**

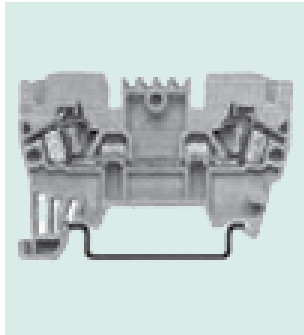
**V7**

## YBK SERIES: TENSION CLAMP TERMINALS

Tension clamp terminals provide a faster method of terminating wires as compared to screw clamp systems. Approved by UL, they are just as reliable in field applications.

The tension clamp is opened with a small screwdriver inserted to the side of the clamp next to the wire entry way. When the field wiring is in place, the screwdriver can be removed and a reliable, secure connection is maintained. Tension clamp terminals are available in beige and grey.

Terminal blocks are manufactured with one open end allowing side by side placement. An endplate is necessary for the last terminal block to enable full enclosure. See accessories on Page V9.



### YBK 2.5 (width 5mm)

**Electrical Rating:**

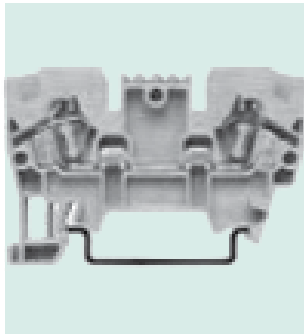
UL (Voltage/Current/Cross Section): 600V~ / **20 A** / AWG 22-12  
 Insulation Stripping Length: 10mm

**Connection Data:**

Solid Stand, Screw Connection: 0.5 - 2.5 mm<sup>2</sup>  
 Fine Strand, Screw Connection: 0.5 - 2.5 mm<sup>2</sup>  
 AWG Conductor: 22 -12

**Material:** Polyamide 6.6

Model	Beige	Grey	Price/each
<b>YBK 2.5</b>	306 220	306 229	\$1.50



### YBK 4 (width 6mm)

**Electrical Rating:**

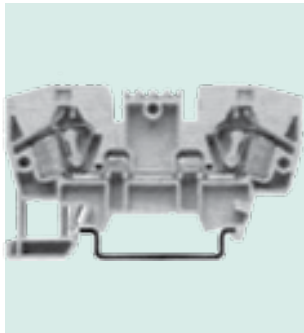
UL (Voltage/Current/Cross Section): 600V~ / **26 A** / AWG 22-10  
 Insulation Stripping Length: 12mm

**Connection Data:**

Solid Stand, Screw Connection: 0.5 - 4 mm<sup>2</sup>  
 Fine Strand, Screw Connection: 0.5 - 4 mm<sup>2</sup>  
 AWG Conductor: 22 -10

**Material:** Polyamide 6.6

Model	Beige	Grey	Price/each
<b>YBK 4</b>	306 230	306 239	\$2.00



### YBK 6 (width 8mm)

**Electrical Rating:**

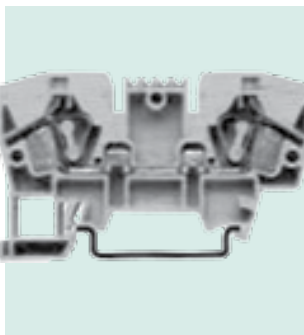
UL (Voltage/Current/Cross Section): 600V~ / **35 A** / AWG 22-8  
 Insulation Stripping Length: 12mm

**Connection Data:**

Solid Stand, Screw Connection: 0.5 - 6 mm<sup>2</sup>  
 Fine Strand, Screw Connection: 0.5 - 6 mm<sup>2</sup>  
 AWG Conductor: 22 - 8

**Material:** Polyamide 6.6

Model	Beige	Grey	Price/each
<b>YBK 6</b>	306 240	306 249	\$2.50



### YBK 10 (width 10mm)

**Electrical Rating:**

UL (Voltage/Current/Cross Section): 600V~ / **55 A** / AWG 20-6  
 Insulation Stripping Length: 12mm

**Connection Data:**

Solid Stand, Screw Connection: 0.5 - 10 mm<sup>2</sup>  
 Fine Strand, Screw Connection: 0.5 - 10 mm<sup>2</sup>  
 AWG Conductor: 20 - 6

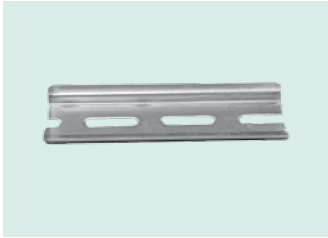
**Material:** Polyamide 6.6

Model	Beige	Grey	Price/each
<b>YBK 10</b>	306 250	306 259	\$3.75

**Discount Schedule SC-65**



**YBK SERIES: TERMINAL ACCESSORIES**



**Mounting Rail (DIN-RAIL)**

- TS 35 x 7.5 Slotted
- 1 meter length
- 25mm on 36mm Center
- 5.2mm slot width

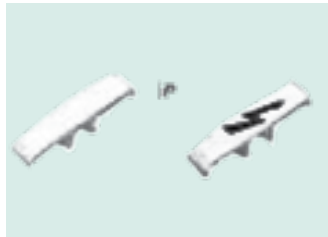
Catalog No.	Price/each
TS3575SL1	\$15.00



**End Bracket - KD3**

- Prevents terminal blocks from falling off DIN-RAIL.
- Thickness; 8 mm

Color	Catalog No.	Price/each
Beige	495 040	\$1.00
Grey	495 049	\$1.00



**Warning Labels**

Type	Catalog No.	Price/25
IP 4 S (with symbol)	498 160	\$1.00
IP 4 (without symbol)	498 170	\$1.00



**Group Marking - GE**

Color	Catalog No.	Price/50
Beige	496 110	\$2.50
Grey	496 119	\$2.50



**End Plate - NPP**

- Thickness; 1.2mm
- Polyamide 6.6

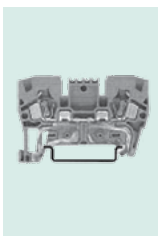
Color	for YBK 2.5	Price	for YBK 4	Price	For YBK 6	Price	For YBK 10	Price
Beige	446 320	\$0.50	446 330	\$0.50	446 340	\$0.50	446 350	\$0.50
Grey	446 329	\$0.50	446 339	\$0.50	446 349	\$0.50	446 359	\$0.50



**Cross Connection**

Type	for YBK 2.5	for YBK 4	For YBK 6	For YBK 10
2 *	476 222	476 232	476 242	476 252
3 *	476 223	476 233	476 243	476 253
4 *	476 224	476 234	476 244	476 254
10 *	476 229	476 239	476 249	---

\* Call factory for pricing

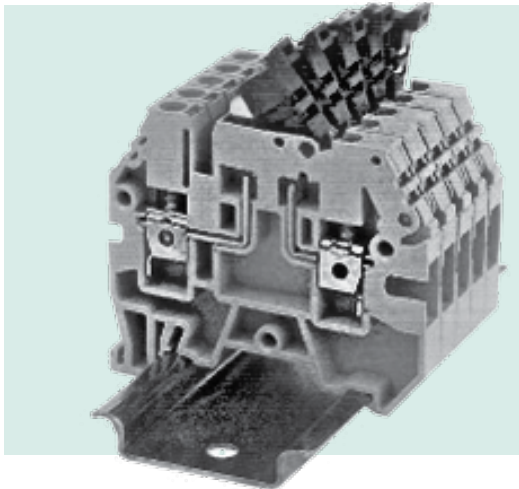


**Ground Terminals**

for YBK 2.5	Price	for YBK 4	Price	For YBK 6	Price	For YBK 10	Price
336 220	\$3.25	336 230	\$4.25	336 240	\$5.00	336 250	\$7.50

**Discount Schedule SC-65**

ASK DISCONNECT TERMINALS



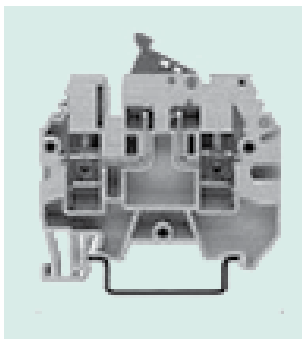
The main advantage with ASK disconnect terminals is that they allow a circuit to be “opened” without removing the wire from the screw connections - saving time.

An analog circuit such as 4-20 mA signals, the user can open the circuit (ASK 2B) and place a multi-meter on the exposed internal terminals and read the input or output currents very easily.

Standard 5 x 20 mm and 5 x 25 mm fuses can be used with the terminals. The standard lever action fuse terminal is the ASK 2S.

If you wish to have fuse blown indication for your control circuit in order to enhance trouble shooting, then the ASL LD is a good device. The fuse holder portions can be completely removed with the ASK 3F and it also holds a spare fuse (see page V12 for accessories.)

V10



**ASK 3A (width 6mm)**

*Electrical Rating:*

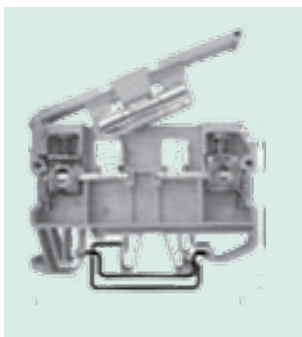
UL (Voltage/Current/Cross Section): 600V~ / **16 A** / AWG 26-10  
 Insulation Stripping Length: 10mm

*Connection Data:*

Solid Stand, Screw Connection: 0.5 - 6 mm<sup>2</sup>  
 Fine Strand, Screw Connection: 1.5 - 4 mm<sup>2</sup>  
 AWG Conductor: 26 -10

*Material:* Polyamide 6.6

Model	Beige	Grey	Price/each
ASK 3A	353 100	353 109	\$5.25



**ASK 2B (width 8mm)**

*Electrical Rating:*

UL (Voltage/Current/Cross Section): 300V~ / **6.3 A** / AWG 26-8  
 Insulation Stripping Length: 12mm

*Connection Data:*

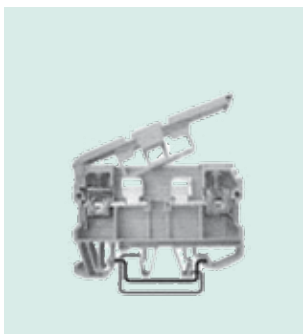
Solid Stand, Screw Connection: 0.5 - 10 mm<sup>2</sup>  
 Fine Strand, Screw Connection: 1.5 - 10 mm<sup>2</sup>  
 AWG Conductor: 26 -8

*Material:* Polyamide 6.6

Model	Beige	Grey	Price/each
ASK 2B	360 110	360 119	\$6.00

Discount Schedule SC-65

**ASK SCREW-TYPE FUSE TERMINALS**



**ASK 2S (width 8mm)**

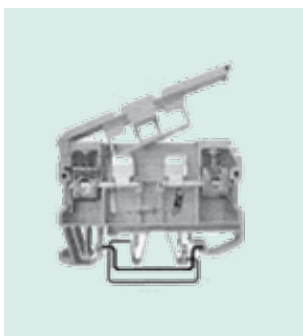
*Electrical Rating:*

UL (Voltage/Current/Cross Section): 300V~ / **6.3 A** / AWG 26-8  
 Fuse Size: 5 x 20 mm, 5 x 25 mm  
 Insulation Stripping Length: 12mm

*Connection Data:*

Solid Stand, Screw Connection: 0.5 - 10 mm<sup>2</sup>  
 Fine Strand, Screw Connection: 1.5 - 10 mm<sup>2</sup>  
 AWG Conductor: 26 -8

Model	Beige (Polyamide 6.6)	Grey (Polyamide 6.6)	Price/each
<b>ASK 2S</b>	351 100	351 109	\$5.25



**ASK 2LD (width 8mm)**

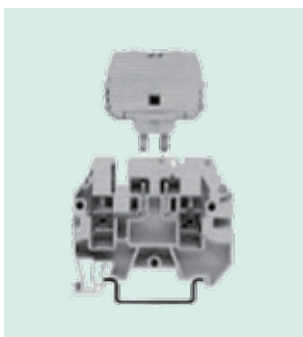
*Electrical Rating:*

UL (Voltage/Current/Cross Section): --V~ / **6.3 A** / AWG 26-8  
 Fuse Size: 5 x 20 mm, 5 x 25 mm  
 Insulation Stripping Length: 12mm

*Connection Data:*

Solid Stand, Screw Connection: 0.5 - 10 mm<sup>2</sup>  
 Fine Strand, Screw Connection: 1.5 - 10 mm<sup>2</sup>  
 AWG Conductor: 26 -8

Model	Beige (Polyamide 6.6)	Grey (Polyamide 6.6)	Price/each
<b>ASK 2LD (24V DC)</b>	351 220	351 229	\$7.00
<b>ASK 2LD (48V AC)</b>	351 310	351 319	\$7.50
<b>ASK 2LD (48V DC)</b>	351 320	351 319	\$7.50
<b>ASK 2LD (110V AC)</b>	351 510	351 519	\$7.50



**ASK 3F (width 6mm)**

*Electrical Rating:*

UL (Voltage/Current/Cross Section): 600V~ / **10 A** / AWG 26-10  
 Fuse Size: 5 x 20 mm, 5 x 25 mm  
 Insulation Stripping Length: 12mm

*Connection Data:*

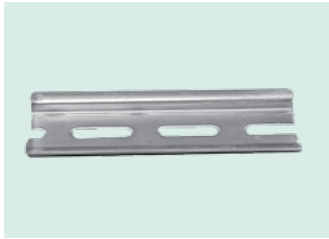
Solid Stand, Screw Connection: 0.5 - 6 mm<sup>2</sup>  
 Fine Strand, Screw Connection: 1.5 - 4 mm<sup>2</sup>  
 AWG Conductor: 26 -10

Model	Beige (Polyamide 6.6)	Grey (Polyamide 6.6)	Price/each
<b>ASK 2S</b>	354 100	354 109	\$5.00

**V11**

**Discount Schedule SC-65**

ASK SERIES ACCESSORIES



**Mounting Rail (DIN-RAIL)**

- TS 35 x 7.5 Slotted
- Steel Slot Dim.
- 25mm on 36mm Center
- 5.2mm slot width
- 1 meter length

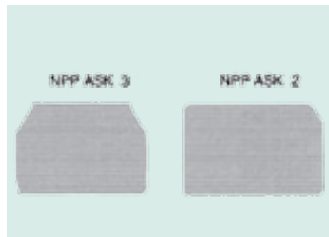
Catalog No.	Price/each
TS3575SL1	\$15.00



**End Bracket - KD3**

- Prevents terminal blocks from falling off DIN-RAIL.
- Thickness: 8 mm

Color	Catalog No.	Price/each
Beige	495 040	\$1.00
Grey	495 049	\$1.00

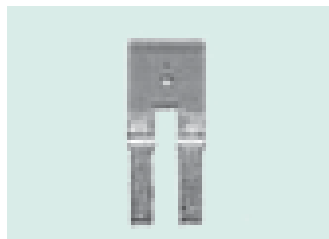


**End Plate - NPP**

- Thickness; 1.5mm
- Polyamide 6.6

Color	NPP - ASK 3	Price	NPP - ASK 2	Price
Beige	450 050	\$0.50	450 040	\$0.50
Grey	450 059	\$0.50	450 049	\$0.50

V12



**Cross Connection**

Type	for ASK 3A & ASK 3F
2 *	476 232
3 *	476 233
4 *	476 234
10 *	476 239

\* Consult factory for pricing



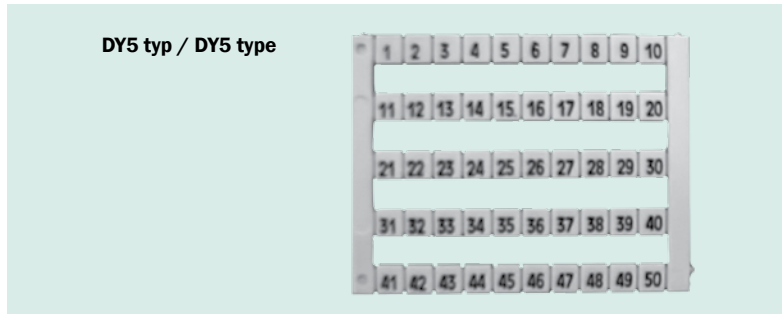
**Group Marking - GE**

Color	Catalog No.	Price/50
Beige	496 110	\$2.50
Grey	496 119	\$2.50

Discount Schedule SC-65

**TERMINAL BLOCK MARKING TAGS**

**Marking Tags**



Type	Description	Catalog No.	Price/50	Price/500
DY 5	0	505 000	\$3.00	\$30.00
	1	505 001		
	2	505 002		
	3	505 003		
	4	505 004		
	5	505 005		
	6	505 006		
	7	505 007		
	8	505 008		
	9	505 009		
	10	505 010		
DY 5	1 - 10	505 020	\$3.00	\$30.00
	11 - 20	505 021		
	21 - 30	505 022		
	31 - 40	505 023		
	41 - 50	505 024		
DY 5	1 - 50	505 040	\$3.00	\$30.00
	51 - 100	505 041		
	101 - 150	505 042		
	151 - 200	505 043		
	201 - 250	505 044		
	251 - 300	505 045		
	301 - 350	505 046		
	351 - 400	505 047		
	401 - 450	505 048		
	451 - 500	505 049		
	501 - 550	505 050		
	551 - 600	505 051		
	601 - 650	505 052		
	651 - 700	505 053		
	701 - 750	505 054		
	751 - 800	505 055		
	801 - 850	505 056		
	851 - 900	505 057		
	901 - 950	505 058		
951 - 999	505 059			

Type	Description	Catalog No.	Price/50	Price/500
DY 5	A	505 060	\$3.00	\$30.00
	B	505 061		
	C	505 062		
	D	505 063		
	E	505 064		
	F	505 065		
	G	505 066		
	H	505 067		
	I	505 068		
	J	505 069		
	K	505 070		
	L	505 071		
	M	505 072		
	N	505 073		
	O	505 074		
	P	505 075		
	Q	505 076		
	R	505 077		
	S	505 078		
	T	505 079		
	U	505 080		
	V	505 081		
	W	505 082		
	X	505 083		
	Y	505 084		
	Z	505 085		
DY 5	L1	505 090	\$3.00	\$30.00
	L2	505 091		
	L3	505 092		
	RSTN ↓	505 093		
	MP	505 094		
	+	505 095		
	-	505 096		
⊕	505 097			

V13

**Discount Schedule SC-65**

**NOTES**

**V14**

**NOTES**

**V15**